

Course No. *CE 1023*

Assignment No.

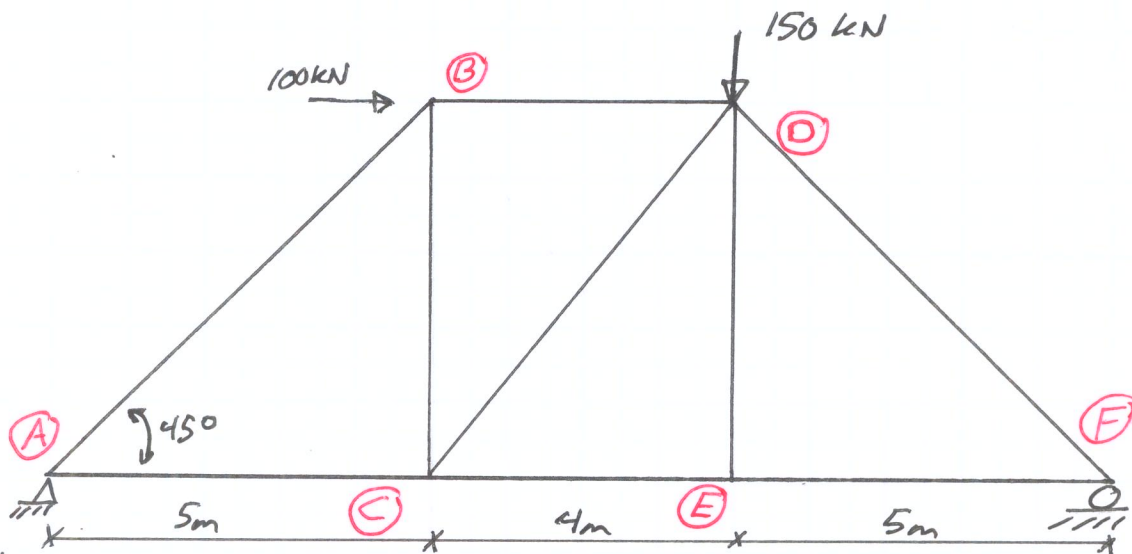
Date *Feb 19, 2015*

Page

1

Problem No. *METHOD OF SECTIONS EXAMPLE* By *ALAN LLOYD*

of

Find

- SI and comment on determinacy
- Force in CD
- Force in BD